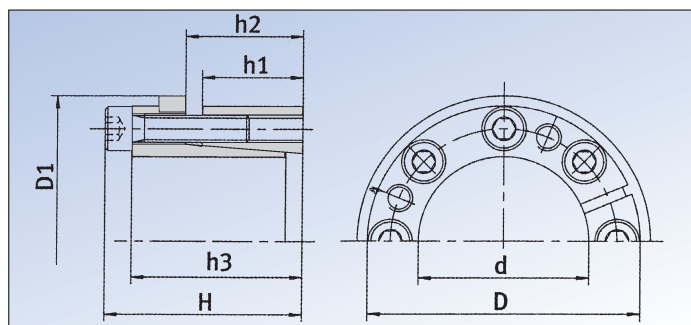


## Hakon®-Spannsätze Baureihe 132



Baugleich mit BR 131

Zusätzlich mit Anschlagring zur axialen Fixierung der Nabe.

Kennzeichen:

- Selbstzentrierend
- Axiale Fixierung der Nabe während der Montage (Anschlagring auch einzeln lieferbar)

### Abmessungen / Technische Daten

Artikel-Nr. Ketten Fuchs	Abmessungen in mm						Spannschrauben			Übertragungswerte				Gewicht kg
	Größe d × D	D <sub>1</sub>	h <sub>1</sub>	h <sub>2</sub>	h <sub>3</sub>	H	Anzahl Stück	Größe M	Md Nm	Dreh- moment Mt Nm	Axial- kraft F <sub>ax</sub> kN	Flächen- druckung Welle P <sub>w</sub> N/mm <sup>2</sup>	Flächen- druckung Nabe P <sub>N</sub> N/mm <sup>2</sup>	
132-1847	18 × 47	53,0	26,0	31,0	42,0	48,0	6	M6 × 25	17	303	33	201	77	0,48
132-1947	19 × 47	53,0	26,0	31,0	42,0	48,0	6	M6 × 25	17	320	33	191	77	0,45
132-2047	20 × 47	53,0	26,0	31,0	42,0	48,0	6	M6 × 25	17	337	33	181	77	0,42
132-2247	22 × 47	53,0	26,0	31,0	42,0	48,0	6	M6 × 25	17	371	33	165	77	0,40
132-2450	24 × 50	56,0	26,0	31,0	42,0	48,0	6	M6 × 25	17	405	33	151	72	0,44
132-2550	25 × 50	56,0	26,0	31,0	42,0	48,0	6	M6 × 25	17	421	33	145	72	0,43
132-2855	28 × 55	61,0	26,0	31,0	42,0	48,0	6	M6 × 25	17	472	33	129	66	0,52
132-3055	30 × 55	61,0	26,0	31,0	42,0	48,0	6	M6 × 25	17	506	33	121	66	0,52
132-3260	32 × 60	66,0	26,0	31,0	42,0	48,0	8	M6 × 25	17	719	44	151	80	0,59
132-3560	35 × 60	66,0	26,0	31,0	42,0	48,0	8	M6 × 25	17	787	44	138	80	0,55
132-3865	38 × 65	71,0	26,0	31,0	42,0	48,0	8	M6 × 25	17	854	44	127	74	0,64
132-4065	40 × 65	71,0	26,0	31,0	42,0	48,0	8	M6 × 25	17	899	44	121	74	0,61
132-4275	42 × 75	81,0	30,0	36,0	50,0	58,0	6	M8 × 30	41	1280	60	135	76	1,09
132-4575	45 × 75	81,0	30,0	36,0	50,0	58,0	6	M8 × 30	41	1372	60	126	76	1,03
132-4880	48 × 80	86,0	30,0	36,0	50,0	58,0	8	M8 × 30	41	1951	80	158	95	1,17
132-5080	50 × 80	86,0	30,0	36,0	50,0	58,0	8	M8 × 30	41	2033	80	151	95	1,12
132-5585	55 × 85	91,0	30,0	36,0	50,0	58,0	8	M8 × 30	41	2236	80	138	89	1,20
132-6090	60 × 90	96,0	30,0	36,0	50,0	58,0	8	M8 × 30	41	2439	80	126	84	1,29
132-6595	65 × 95	101,0	30,0	36,0	50,0	58,0	8	M8 × 30	41	2642	80	116	80	1,38
132-70110	70 × 110	119,0	40,0	46,0	60,0	70,0	8	M10 × 30	83	4608	130	131	84	2,47
132-75115	75 × 115	124,0	40,0	46,0	60,0	70,0	8	M10 × 30	83	4937	130	123	80	2,59
132-80120	80 × 120	129,0	40,0	46,0	60,0	70,0	8	M10 × 30	83	5267	130	115	77	2,73
132-85125	85 × 125	134,0	40,0	46,0	60,0	70,0	10	M10 × 30	83	6995	163	135	92	2,81
132-90130	90 × 130	139,0	40,0	46,0	60,0	70,0	10	M10 × 30	83	7406	163	128	88	2,98
132-95135	95 × 135	144,0	40,0	46,0	60,0	70,0	10	M10 × 30	83	7818	163	121	85	3,12
132-100145	100 × 145	155,0	45,0	52,0	68,0	80,0	8	M12 × 35	145	9584	190	119	82	4,16
132-110155	110 × 155	165,0	45,0	52,0	68,0	80,0	8	M12 × 35	145	10543	190	108	77	4,51
132-120165	120 × 165	175,0	45,0	52,0	68,0	80,0	10	M12 × 35	145	14376	237	124	90	4,86
132-130180	130 × 180	188,0	45,0	52,0	68,0	80,0	12	M12 × 35	145	18689	284	137	99	5,87
132-140190	140 × 190	199,0	50,0	58,5	76,0	90,0	10	M14 × 40	230	22804	322	130	96	6,93
132-150200	150 × 200	209,0	50,0	58,5	76,0	90,0	12	M14 × 40	230	29319	387	146	109	7,65
132-160210	160 × 210	219,0	50,0	58,5	76,0	90,0	12	M14 × 40	230	31274	387	136	104	8,38
132-170225	170 × 225	234,0	50,0	58,5	76,0	90,0	14	M14 × 40	230	38766	451	150	113	9,17
132-180235	180 × 235	244,0	50,0	58,5	76,0	90,0	14	M14 × 40	230	41047	451	141	108	10,08
132-190250	190 × 250	259,0	50,0	58,5	76,0	90,0	15	M14 × 40	230	46422	484	144	109	11,02
132-200260	200 × 260	269,0	50,0	58,5	76,0	90,0	15	M14 × 40	230	48865	484	136	105	12,10