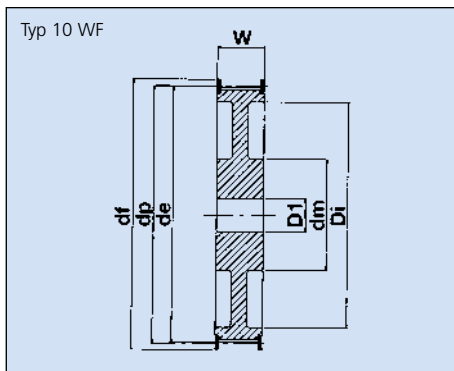
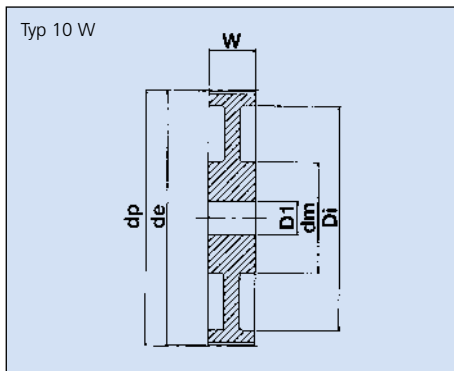
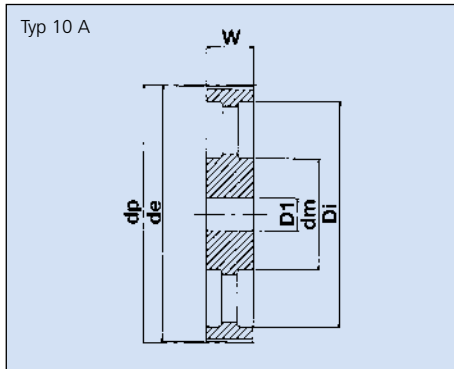
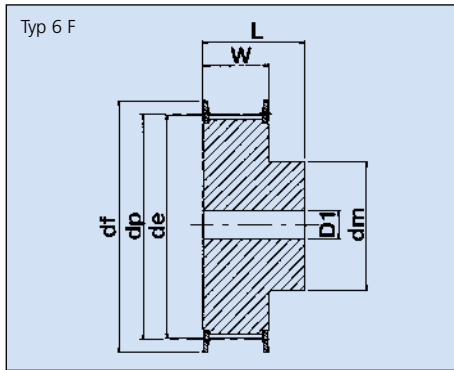


HTD-Zahnriemenscheiben



14M-85 (Teilung = 14 mm) – für Zahnriemenbreite = 85 mm

Artikel-Nr. Ketten Fuchs	Zähne- zahl	Typ	Werk- stoff	Abmessungen in mm							
				de	dp	dm	Di	df	W	L	D1
28-14M-85	28	6F	St	122,12	124,78	100,0	–	128,0	102,0	117,0	24,0
29-14M-85	29	6F	St	126,57	129,23	100,0	–	138,0	102,0	117,0	24,0
30-14M-85	30	6F	St	130,99	133,69	100,0	–	138,0	102,0	117,0	24,0
32-14M-85	32	6F	St	139,88	142,60	100,0	–	154,0	102,0	117,0	24,0
34-14M-85	34	6F	St	148,79	151,52	100,0	–	160,0	102,0	117,0	24,0
36-14M-85	36	6F	St	157,68	160,43	100,0	–	168,0	102,0	117,0	32,0
38-14M-85	38	6F	St	166,60	169,34	120,0	–	183,0	102,0	117,0	32,0
40-14M-85	40	6F	St	175,49	178,25	135,0	–	188,0	102,0	117,0	32,0
44-14M-85	44	6F	St	193,28	196,08	135,0	–	211,0	102,0	117,0	32,0
48-14M-85	48	6F	St	211,11	213,90	150,0	–	226,0	102,0	117,0	32,0
56-14M-85	56	10WF	GG	246,76	249,55	150,0	207,0	256,0	102,0	102,0	32,0
64-14M-85	64	10WF	GG	282,41	285,21	150,0	240,0	296,0	102,0	102,0	32,0
72-14M-85	72	10A	GG	318,06	320,86	150,0	278,0	–	102,0	102,0	32,0
80-14M-85	80	10A	GG	353,71	356,51	150,0	314,0	–	102,0	102,0	32,0
90-14M-85	90	10A	GG	398,28	401,07	150,0	358,0	–	102,0	102,0	32,0
112-14M-85	112	10A	GG	496,32	499,11	150,0	456,0	–	102,0	102,0	32,0
144-14M-85	144	10A	GG	638,92	641,71	150,0	600,0	–	102,0	102,0	32,0
168-14M-85	168	10A	GG	745,87	748,66	150,0	706,0	–	102,0	102,0	32,0
192-14M-85	192	10A	GG	852,82	855,62	165,0	813,0	–	102,0	102,0	32,0
216-14M-85	216	10A	GG	959,76	962,57	165,0	920,0	–	102,0	102,0	32,0

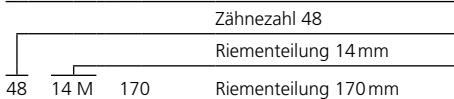
14M-115 (Teilung = 14 mm) – für Zahnriemenbreite = 115 mm

Artikel-Nr. Ketten Fuchs	Zähne- zahl	Typ	Werk- stoff	Abmessungen in mm							
				de	dp	dm	Di	df	W	L	D1
28-14M-115	28	6F	St	122,12	124,78	100,0	–	128,0	133,0	148,0	32,0
29-14M-115	29	6F	St	126,57	129,23	100,0	–	138,0	133,0	148,0	32,0
30-14M-115	30	6F	St	130,99	133,69	100,0	–	138,0	133,0	148,0	32,0
32-14M-115	32	6F	St	139,88	142,60	100,0	–	154,0	133,0	148,0	32,0
34-14M-115	34	6F	St	148,79	151,52	100,0	–	160,0	133,0	148,0	32,0
36-14M-115	36	6F	St	157,68	160,43	120,0	–	168,0	133,0	148,0	32,0
38-14M-115	38	6F	St	166,60	169,34	120,0	–	183,0	133,0	148,0	32,0
40-14M-115	40	6F	St	175,49	178,25	135,0	–	188,0	133,0	148,0	32,0
44-14M-115	44	6F	St	193,28	196,08	140,0	–	211,0	133,0	148,0	32,0
48-14M-115	48	6F	St	211,11	213,90	150,0	–	226,0	133,0	148,0	32,0
56-14M-115	56	6F	St	246,76	249,55	150,0	–	256,0	133,0	148,0	32,0
64-14M-115	64	10WF	GG	282,41	285,21	150,0	240,0	296,0	133,0	133,0	32,0
72-14M-115	72	10A	GG	318,06	320,86	150,0	278,0	–	133,0	133,0	32,0
80-14M-115	80	10A	GG	353,71	356,51	150,0	314,0	–	133,0	133,0	32,0
90-14M-115	90	10A	GG	398,28	401,07	150,0	358,0	–	133,0	133,0	32,0
112-14M-115	112	10A	GG	496,32	499,11	150,0	456,0	–	133,0	133,0	32,0
144-14M-115	144	10A	GG	638,92	641,71	165,0	600,0	–	133,0	133,0	32,0
168-14M-115	168	10A	GG	745,87	748,66	165,0	706,0	–	133,0	133,0	32,0
192-14M-115	192	10A	GG	852,82	855,62	165,0	813,0	–	133,0	133,0	32,0
216-14M-115	216	10A	GG	959,76	962,57	165,0	920,0	–	133,0	133,0	32,0

14M-170 (Teilung = 14 mm) – für Zahnriemenbreite = 170 mm

Artikel-Nr. Ketten Fuchs	Zähne- zahl	Typ	Werk- stoff	Abmessungen in mm							
				de	dp	dm	Di	df	W	L	D1
28-14M-170	28	6F	St	122,12	124,78	100,0	–	128,0	187,0	202,0	32,0
29-14M-170	29	6F	St	126,57	129,23	100,0	–	138,0	187,0	202,0	32,0
30-14M-170	30	6F	St	130,99	133,69	100,0	–	138,0	187,0	202,0	32,0
32-14M-170	32	6F	St	139,88	142,60	100,0	–	154,0	187,0	202,0	32,0
34-14M-170	34	6F	St	148,79	151,52	100,0	–	160,0	187,0	202,0	32,0
36-14M-170	36	6F	St	157,68	160,43	120,0	–	168,0	187,0	202,0	32,0
38-14M-170	38	6F	St	166,60	169,34	135,0	–	183,0	187,0	202,0	32,0
40-14M-170	40	6F	St	175,49	178,25	140,0	–	188,0	187,0	202,0	32,0
44-14M-170	44	6F	St	193,28	196,08	160,0	–	211,0	187,0	202,0	32,0
48-14M-170	48	6F	St	211,11	213,90	160,0	–	226,0	187,0	202,0	32,0
56-14M-170	56	6F	St	246,76	249,55	160,0	–	256,0	187,0	202,0	32,0
64-14M-170	64	6F	St	282,41	285,21	180,0	–	296,0	187,0	202,0	32,0
72-14M-170	72	10W	GG	318,06	320,86	180,0	278,0	–	187,0	187,0	32,0
80-14M-170	80	10W	GG	353,71	356,51	180,0	314,0	–	187,0	187,0	32,0
90-14M-170	90	10A	GG	398,28	401,07	180,0	358,0	–	187,0	187,0	38,0
112-14M-170	112	10A	GG	496,32	499,11	200,0	456,0	–	187,0	187,0	38,0
144-14M-170	144	10A	GG	638,92	641,71	220,0	600,0	–	187,0	187,0	38,0
168-14M-170	168	10A	GG	745,87	748,66	220,0	706,0	–	187,0	187,0	38,0
192-14M-170	192	10A	GG	852,82	855,62	220,0	813,0	–	187,0	187,0	38,0
216-14M-170	216	10A	GG	959,76	962,57	220,0	920,0	–	187,0	187,0	38,0

Bestellbeispiel



lieferbar:

– mit Vorbohrung oder Fertigbohrung mit Nut nach DIN-Nr. 6885